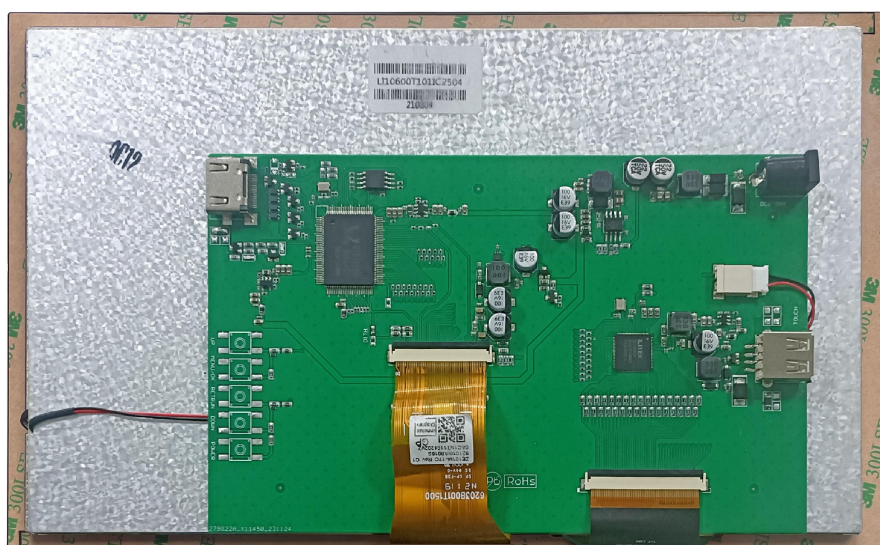


HDW101_001LZ01

**10.1 Inch, 1024*RGB*600, 16.7M Colors,
IPS screen, Capacitive touch, HDMI interface display**



Note: The physical picture is a left and right flip picture.

● Display

Item	Parameter	Description
Color	16.7M(16777216)colors	24 bit color 8R8G8B
Panel Type	IPS	IPS TFT LCM ,wide viewing angle
Viewing Angle	85/85/85/85(L/R/U/D)	Best View: symmetrical
Active Area (A.A.)	222.70(W)*125.30(H)	1024*600
Resolution	1024*600	-
Backlight	LED	≥20000H(Continuous working with maximum brightness, time of the brightness decays to 50%)
Brightness	200nit	-

Note: Displaying of high-contrast still images for more than 30 minutes may result in residual images. Please add animation to avoid this problem.

● Voltage & Current

Item	Conditions	Min	Typ	Max	Unit
Power Voltage	-	6	12	36	V
Operating Current	VCC=12V	-	330	-	mA

● Reliability Test

Item	Conditions	Min	Typ	Max	Unit
Working Temperature	60%RH at 12V voltage	-20	25	70	°C
Storage Temperature	-	-30	25	80	°C
Working Humidity	25°C	10%	60%	90%	RH
ESD	Air discharge: ± 8KV				

● Interface

Item	Conditions	Min	Typ	Max	Unit
Socket	6-36V power interface, HDMI interface				
USB Interface	Yes				
SD Card Slot	None				

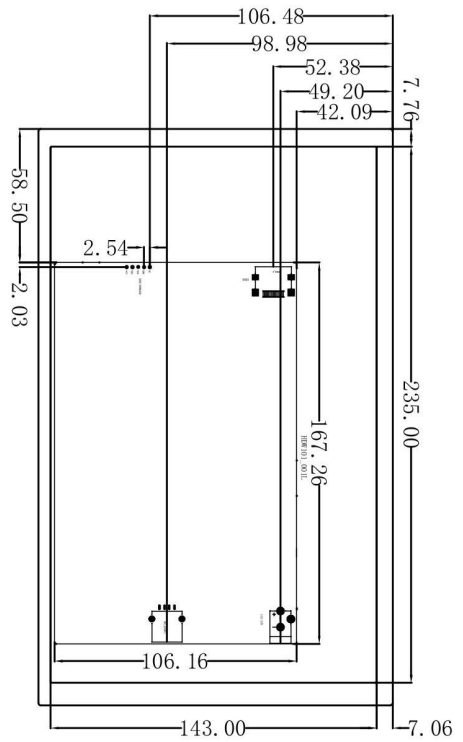
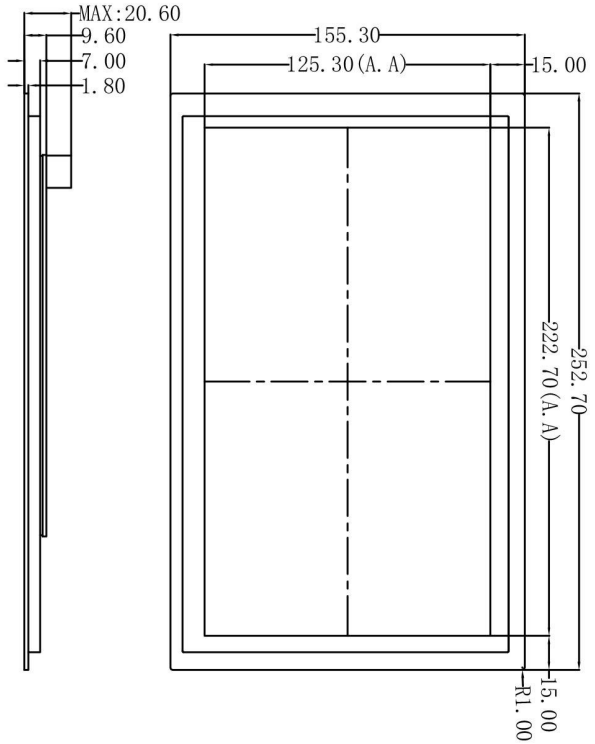
● Peripheral

Peripheral	Capacitive touch panel
------------	------------------------

● Packing Capacity & Dimension

Dimension	
Dimension	252.70(W)*155.30(H)*20.60(T)mm
Net Weight	457g

Disclaimer: The product design is subject to alternation and improvement without prior notice



Name	Description	Name	Description
Pin1	TMS Data2+	Pin11	TMS Clock Shield
Pin2	TMS Data2 Shield	Pin12	TMS Clock-
Pin3	TMS Data2-	Pin13	CEC
Pin4	TMS Data1+	Pin14	HEC Data- (Optional, HDMI 1.4 with Ethernet)
Pin5	TMS Data1 Shield	Pin15	SCD (I2C Serial Clock for DDC)
Pin6	TMS Data1-	Pin16	SMA (I2C Serial Data Line for DDC)
Pin7	TMS Data0+	Pin17	DDC/CEC/HEC Ground
Pin8	TMS Data0 Shield	Pin18	+5V Power (max 50mA)
Pin9	TMS Data0-	Pin19	Hot Plug Detect (All versions) and HEC Data+ (Optional, HDMI 1.4 with Ethernet)
Pin10	TMS Clock+		

Pin Name	definition	Description
VCC	1	+5V
D-	2	Negative pole
D+	3	Positive pole
GND	4	GND

- 1. Location hole is used as position reference.
 - 2. Unmarked Tolerance is +/-0.3mm
- Active area is marked in Dash Lines

Model		HDW101_001LZ01			
Drawing	A 4	Drawn	G Y	Data	
Scale	1 : 1	Review		Data	
Unit	MM	Approval		Data	

Record of Revision

Ver.	Revise Date	Content	Editor
00	2023-06-01	First Edition	Kaya
01	2023-12-05	IC scheme change, update physical image	YML

DWIN Technologies Technical Document